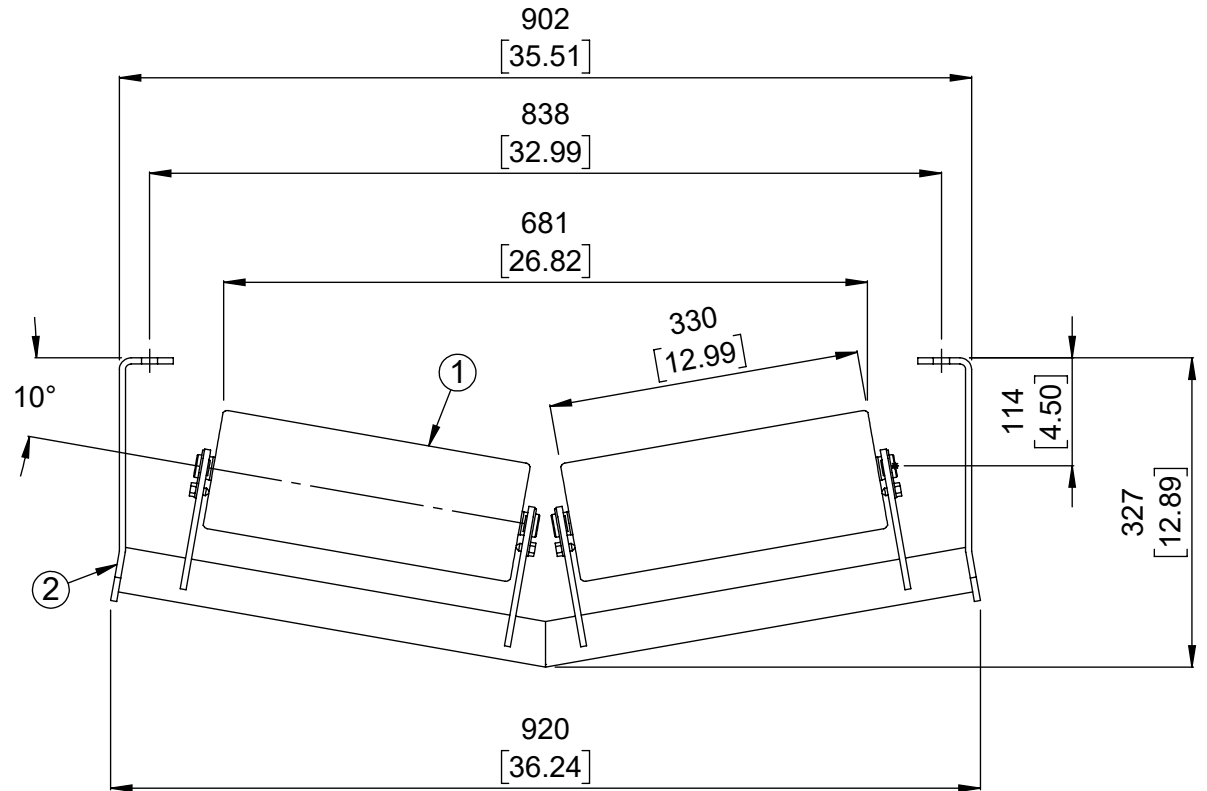
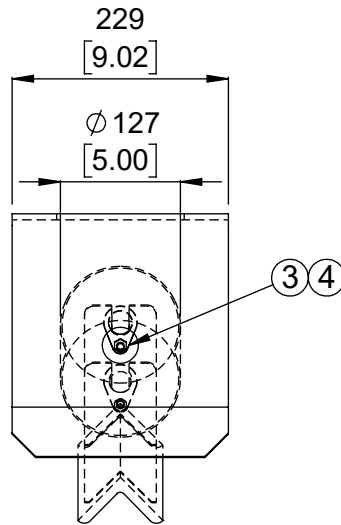
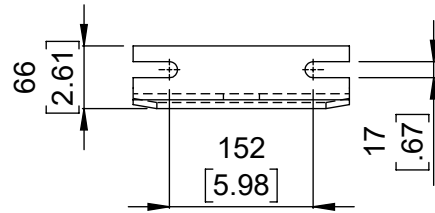


MATERIAL LIST / LISTE DE MATERIEL

(DESIGNATIONS OF PIECES IN IMPERIAL, DIMENSIONS IN MILLIMETERS UNLESS OTHERWISE SPECIFIED)
(DÉSIGNATIONS DES PIÈCES EN IMPÉRIAL, DIMENSIONS EN MILLIMÈTRE SAUF INDICATION CONTRAIRE)

ITEM NO.	DESCRIPTION	MATERIAL/MATERIEL	QTY/QTE	REMARK	WEIGHT/POIDS KG	WEIGHT/POIDS LBS
1	TROUGHING ROLL		2	BBTR525250330A4-D	13.3	29.2
2	10° V-RETURN IDLER FRAME		1	BBFR4051024	16.5	36.2
3	RETAINING END CLIP		4	BBRCEB25	0.0	0.0
4	SELF TAPPING HEX SCREW		4	HABSLZINC005NC010	0.0	0.0



No.	REVISIONS	DATE	BY
0	ISSUED FOR CONSTRUCTION	12-09-2024	AH

DO NOT SCALE
NE PAS PRENDRE A L'ECHELLE
DIMENSIONS ARE IN mm [INCHES]

SURFACE FINISH
 FINITION SURFACE

THIRD ANGLE PROJECTION
 PROJECTION TROISIEME ANGLE

This drawing is the exclusive and confidential property of Continental Conveyor and Machine Works Ltd. / Ce dessin est la propriété confidentielle et exclusive de Convoyeur Continental et Usinage Ltee.

Drawn/Dessiné AH	Checked/Vérifié	Approved/Approuvé	Napaneé Job No./Contrat No.
Date (MM/DD/YYYY) 12-09-2024	Scale/Echelle 1:8	Weight/Poids Net 65.6 Lbs	Theftford Job No./Contrat No.
Identification No.			

CONTINENTAL CONVEYOR & MACHINE WORKS LTD.
 CONVOYEUR CONTINENTAL & USINAGE LTEE
 THEFTFORD MINES, QUEBEC, CANADA
 NAPANEE, ONTARIO, CANADA

STANDARD
 10° V-RETURN IDLER
 24" BELT WIDTH Ø5" ROLL 25/25mm SHAFT CEMA D5 DUTY

Format: Drawing No./Dessin No.
BB-40510-5-24D

Revision: **0**