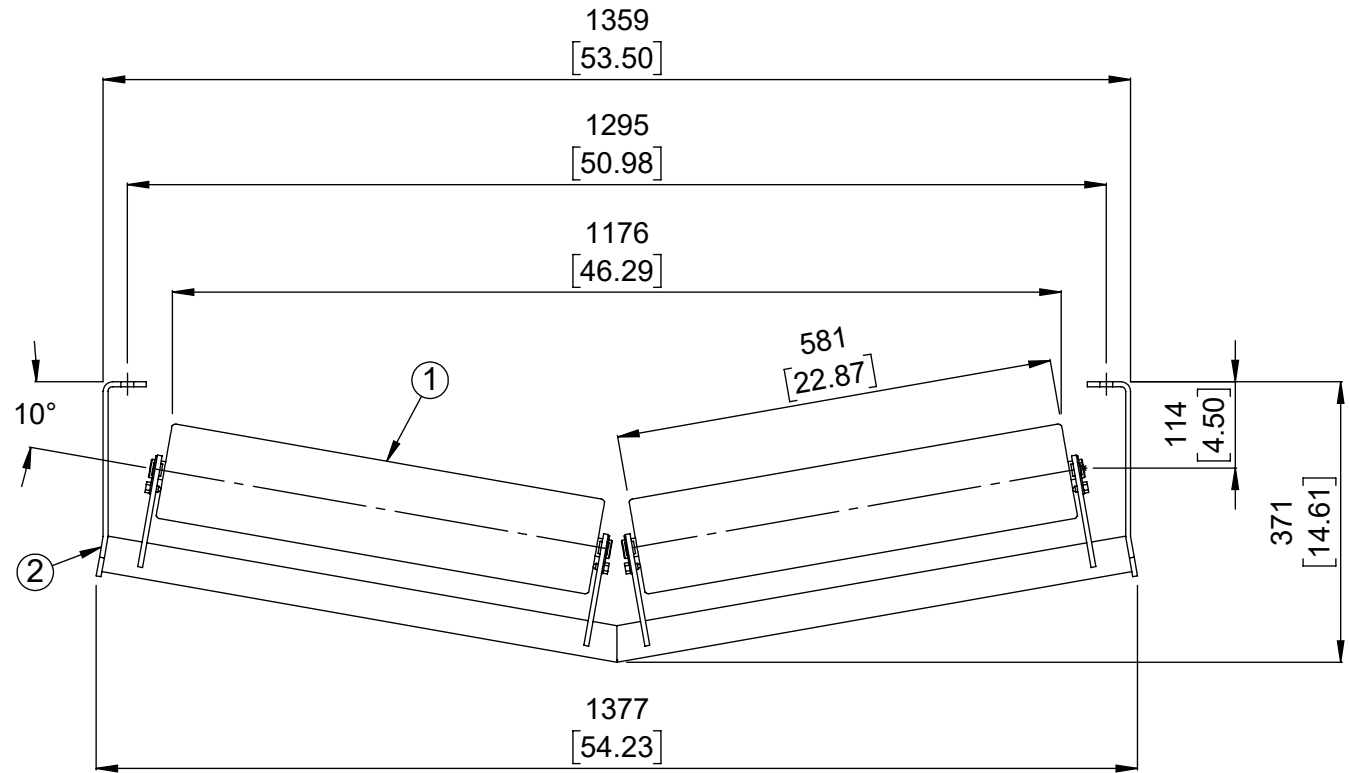
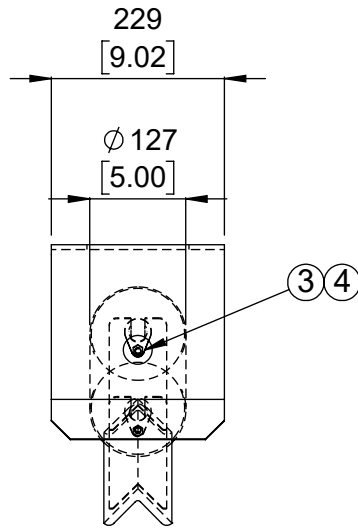
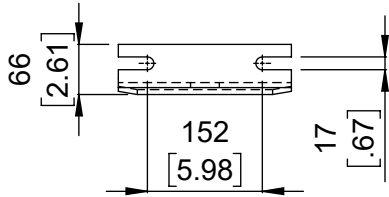


MATERIAL LIST / LISTE DE MATERIEL

(DESIGNATIONS OF PIECES IN IMPERIAL, DIMENSIONS IN MILLIMETERS UNLESS OTHERWISE SPECIFIED)
(DÉSIGNATIONS DES PIÈCES EN IMPÉRIAL, DIMENSIONS EN MILLIMÈTRE SAUF INDICATION CONTRAIRE)

ITEM NO.	DESCRIPTION	MATERIAL/MATERIEL	QTY/QTE	REMARK	WEIGHT/POIDS KG	WEIGHT/POIDS LBS
1	RETURN ROLL		2	BBRR525300581A4-D	22.6	49.8
2	10° V-RETURN IDLER FRAME		1	BBFR4051042	20.4	44.9
3	RETAINING END CLIP		4	BBRCEB25	0.0	0.0
4	SELF TAPPING HEX SCREW		4	HABSLZINC005NC010	0.0	0.0



No.	REVISIONS	DATE	BY
0	ISSUED FOR CONSTRUCTION	12-12-2024	AH

DO NOT SCALE
NE PAS PRENDRE A L'ECHELLE

DIMENSIONS ARE IN mm [INCHES]

SURFACE FINISH
✓

THIRD ANGLE PROJECTION
PROJECTION TROISIEME ANGLE

This drawing is the exclusive and confidential property of Continental Conveyor and Machine Works Ltd.

Ce dessin est la propriété confidentielle et exclusive de Convoyeur Continental et Usinage Ltee.

Drawn/Dessiné AH	Checked/Vérifié	Approved/Approuvé	Napanee Job No./Contrat No.
Date (MM/DD/YYYY) 12-12-2024	Scale/Echelle 1:10	Weight/Poids Net 94.9 Lbs	Theftford Job No./Contrat No.
Identification No.			

continental CONTINENTAL CONVEYOR & MACHINE WORKS LTD.
CONVOYEUR CONTINENTAL & USINAGE LTEE
THEFTFORD MINES, QUEBEC, CANADA
NAPANEE, ONTARIO, CANADA

STANDARD
10° V-RETURN IDLER
42" BELT WIDTH Ø5" ROLL 25/30mm SHAFT CEMA D5 DUTY

Format: Drawing No./Dessin No.
A BB-40510-5-42D

Revision
0