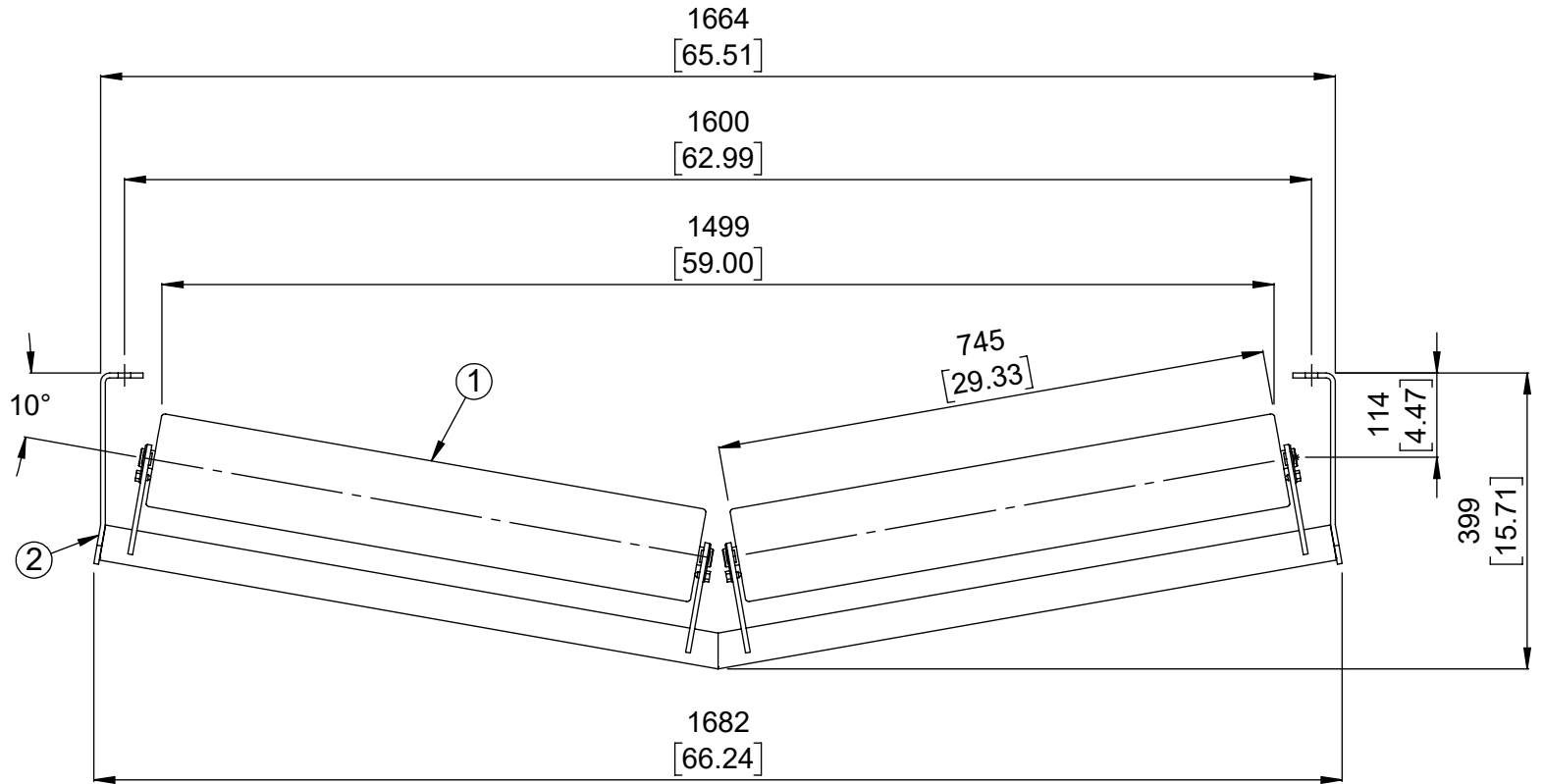
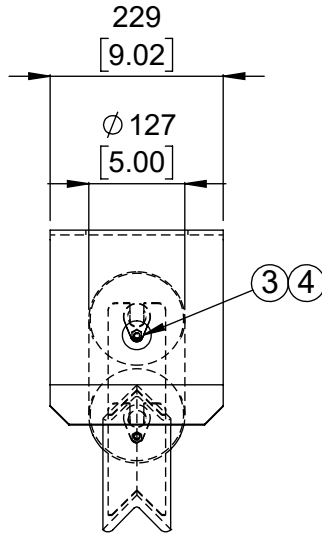
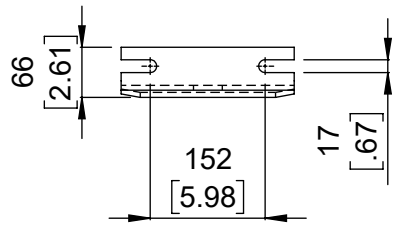


# MATERIAL LIST / LISTE DE MATERIEL

(DESIGNATIONS OF PIECES IN IMPERIAL, DIMENSIONS IN MILLIMETERS UNLESS OTHERWISE SPECIFIED)  
(DÉSIGNATIONS DES PIÈCES EN IMPÉRIAL, DIMENSIONS EN MILLIMÈTRE SAUF INDICATION CONTRAIRE)

ITEM NO.	DESCRIPTION	MATERIAL/MATERIEL	QTY/QTE	REMARK	WEIGHT/POIDS KG	WEIGHT/POIDS LBS
1	RETURN ROLL		2	BBRR525300745A4-D	28.4	62.4
2	10° V-RETURN IDLER FRAME		1	BBFR4051054	23.0	50.7
3	RETAINING END CLIP		4	BBRCEB25	0.0	0.0
4	SELF TAPPING HEX SCREW		4	HABSLZINC005NC010	0.0	0.0



No.	REVISIONS	DATE	BY
0	ISSUED FOR CONSTRUCTION	12-12-2024	AH

DO NOT SCALE  
NE PAS PRENDRE À L'ECHELLE  
DIMENSIONS ARE IN mm [INCHES]

**SURFACE FINISH**  
✓

**FINITION SURFACE**

THIRD ANGLE PROJECTION PROJECTION TROISIEME ANGLE

This drawing is the exclusive and confidential property of Continental Conveyor and Machine Works Ltd. Ce dessin est la propriété confidentielle et exclusive de Convoyeur Continental et Usinage Ltee.

Drawn/Dessiné AH	Checked/Vérifié	Approved/Approuvé	Napinee Job No./Contrat No.
Date (MM/DD/YYYY) 12-12-2024	Scale/Echelle 1:10	Weight/Poids Net 113.2 Lbs	Theftford Job No./Contrat No.
Identification No.			

**continental** CONTINENTAL CONVEYOR & MACHINE WORKS LTD.  
CONVOYEUR CONTINENTAL & USINAGE LTEE  
THEFTFORD MINES, QUEBEC, CANADA  
NAPANEE, ONTARIO, CANADA

**STANDARD**  
10° V-RETURN IDLER  
54" BELT WIDTH Ø5" ROLL 25/30mm SHAFT CEMA D5 DUTY

Format: Drawing No./Dessin No. **BB-40510-5-54D** Revision **0**