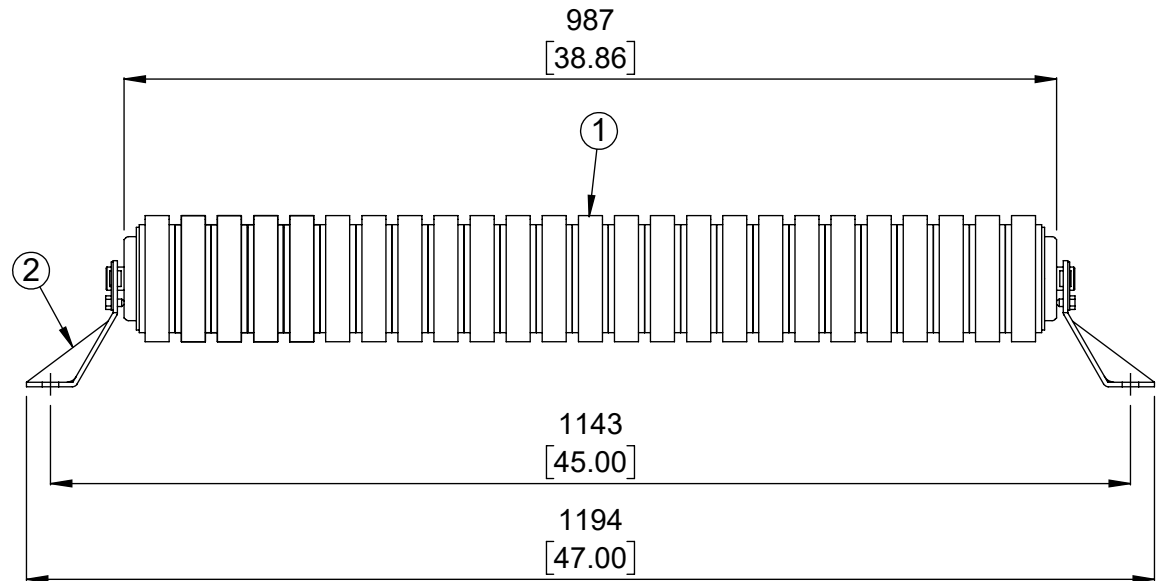
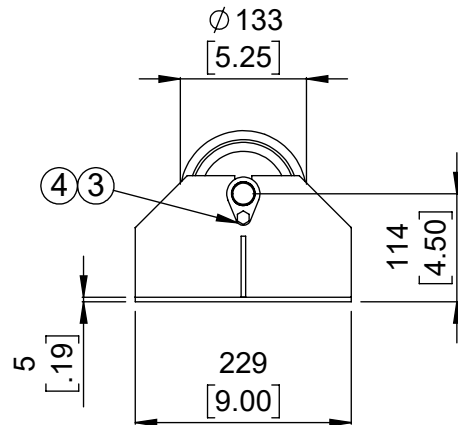
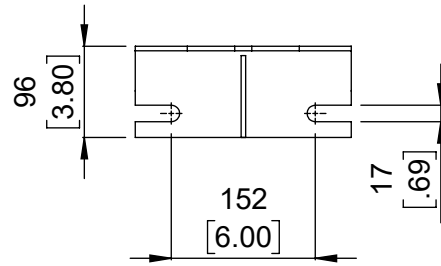


MATERIAL LIST / LISTE DE MATERIEL

(DESIGNATIONS OF PIECES IN IMPERIAL, DIMENSIONS IN MILLIMETERS UNLESS OTHERWISE SPECIFIED)
(DÉSIGNATIONS DES PIÈCES EN IMPÉRIAL, DIMENSIONS EN MILLIMÈTRE SAUF INDICATION CONTRAIRE)

ITEM NO.	DESCRIPTION	MATERIAL/MATERIEL	QTY/QTE	REMARK	WEIGHT/POIDS KG	WEIGHT/POIDS LBS
1	IMPACT ROLL		1	BBIR525300987A5-D	23.8	52.3
2	FLAT CARRYING IDLER BRACKET		2	BBFCST445	3.0	6.6
3	RETAINING END CLIP		2	BBRCB25	0.0	0.0
4	SELF TAPPING HEX SCREW		2	HABSLZINC005NC010	0.0	0.0



No.	REVISIONS	DATE	BY
0	ISSUED FOR CONSTRUCTION	12-05-2024	AH

DO NOT SCALE
NE PAS PRENDRE A L'ECHELLE

DIMENSIONS ARE IN mm [INCHES]

SURFACE FINISH
✓

THIRD ANGLE PROJECTION
PROJECTION TROISIEME ANGLE

This drawing is the exclusive and confidential property of Continental Conveyor and Machine Works Ltd.

Ce dessin est la propriété confidentielle et exclusive de Convoyeur Continental et Usinage Ltee.

Drawn/Dessiné: AH
Date (MM/DD/YYYY): 12-05-2024

Checked/Vérifié: []
Scale/Echelle: 1:8

Approved/Approuvé: []
Weight/Poids Net: 59.1 Lbs

Napinee Job No./Contrat No.: []
Thetford Job No./Contrat No.: []

Identification No.: []

continental CONTINENTAL CONVEYOR & MACHINE WORKS LTD.
CONVOYEUR CONTINENTAL & USINAGE LTEE

THETFORD MINES, QUEBEC, CANADA
NAPANEE, ONTARIO, CANADA

STANDARD

FLAT CARRYING IMPACT IDLER

36" BELT WIDTH 05-1/4" ROLL 25/30mm SHAFT CEMA D5 DUTY

Format: A Drawing No./Dessin No.: **BB-43000-5-36D** Revision: **0**