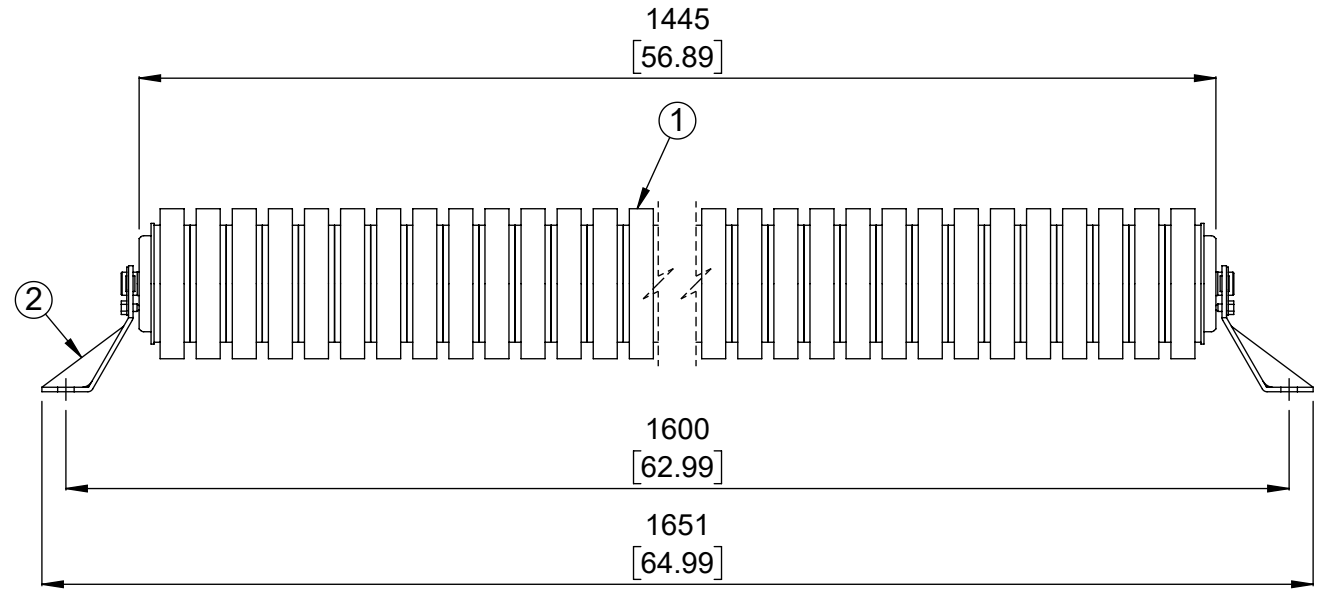
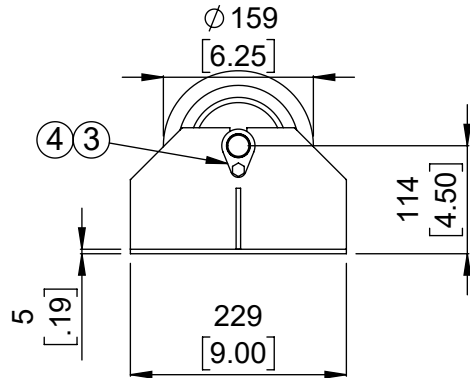
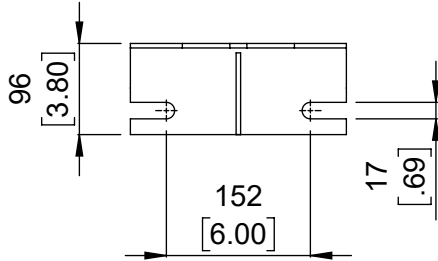


MATERIAL LIST / LISTE DE MATERIEL

(DESIGNATIONS OF PIECES IN IMPERIAL, DIMENSIONS IN MILLIMETERS UNLESS OTHERWISE SPECIFIED)
(DÉSIGNATIONS DES PIÈCES EN IMPÉRIAL, DIMENSIONS EN MILLIMÈTRE SAUF INDICATION CONTRAIRE)

| ITEM NO. | DESCRIPTION | MATERIAL/MATERIEL | QTY/QTE | DRAWING/DESSIN NO. PART/PIECE NO. | WEIGHT/POIDS KG | WEIGHT/POIDS LBS |
|----------|---------------------|-------------------|---------|-----------------------------------|-----------------|------------------|
| 1 | ROULEAU AMORTISSEUR | | 1 | BBIR625301445A5 | 39.2 | 86.3 |
| 2 | SUPPORT DE ROULEAU | | 2 | BBFCST445 | 3.0 | 6.7 |
| 3 | FIXATION EXTÉRIEURE | | 2 | BBRCEB25 | 0.0 | 0.0 |
| 4 | VIS AUTO-TARAUDEUSE | | 2 | HABSLZINC005NC010 | 0.0 | 0.0 |



| No. | REVISIONS | DATE | BY |
|-----|---------------------------|------------|----|
| 0 | ÉMIS POUR LA CONSTRUCTION | 12-05-2024 | AH |



DO NOT SCALE
NE PAS PRENDRE À L'ÉCHELLE
DIMENSIONS ARE IN mm [INCHES]

SURFACE FINISH
✓

SURFACE

THIRD ANGLE PROJECTION
PROJECTION TROISIÈME ANGLE

This drawing is the exclusive and confidential property of Continental Conveyor and Machine Works Ltd. / Ce dessin est la propriété confidentielle et exclusive de Convoyeur Continental et Usinage Ltee.

| | | | |
|---------------------------------|----------------------|------------------------------|------------------------------|
| Drawn/Dessiné AH | Checked/Vérifié | Approved/Approuvé | Napanee Job No./Contrat No. |
| Date (MM/DD/YYYY) 12-05-2024 | Scale/Échelle 1:8 | Weight/Poids Net 93.0 Lbs | Thetford Job No./Contrat No. |
| Identification No. | | | |

continental CONTINENTAL CONVEYOR & MACHINE WORKS LTD.
CONVOYEUR CONTINENTAL & USINAGE L'ÉE

THETFORD MINES, QUEBEC, CANADA
NAPANEE, ONTARIO, CANADA

STANDARD

STATION SUPÉRIEURE AMORTISSEUR PLAT
LARGEUR DE BANDE 54" ROULEAU Ø6-1/4" ARBRE Ø25mm CEMA D6

Format: Drawing No./Dessin No. **BB-43000-6-54** Revision **0**