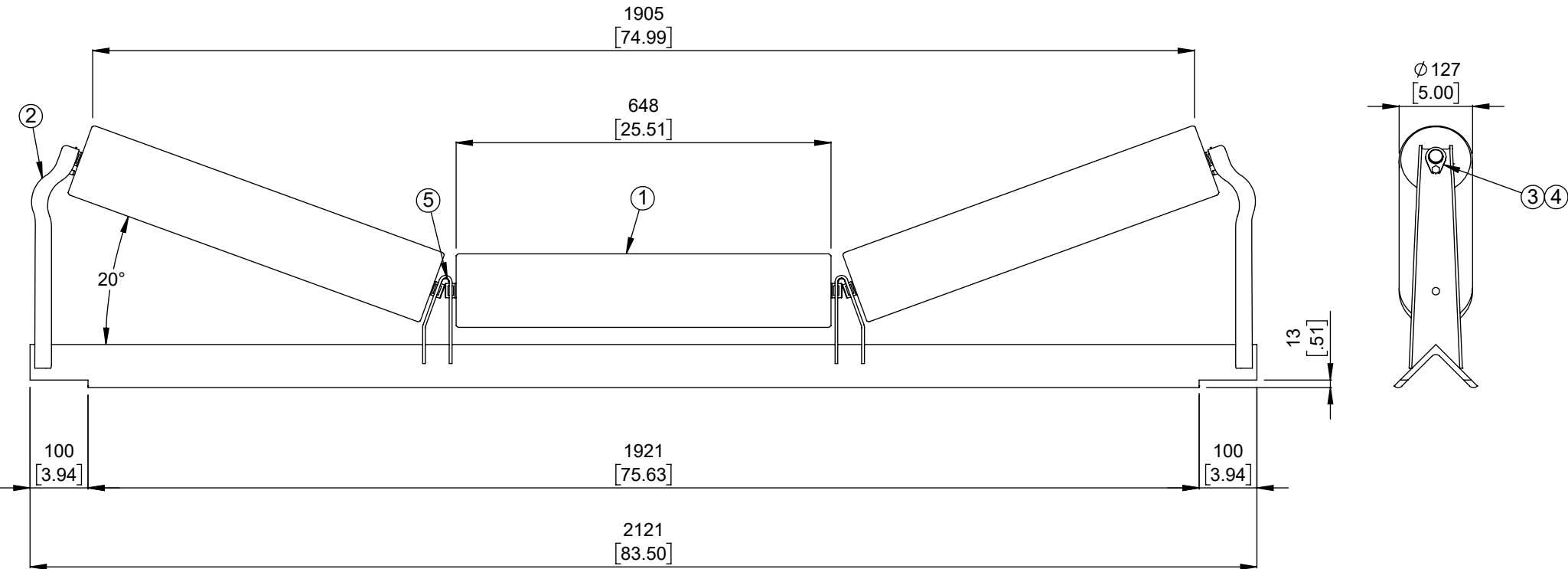


MATERIAL LIST / LISTE DE MATERIEL

(DESIGNATIONS OF PIECES IN IMPERIAL, DIMENSIONS IN MILLIMETERS UNLESS OTHERWISE SPECIFIED)
(DÉSIGNATIONS DES PIÈCES EN IMPÉRIAL, DIMENSIONS EN MILLIMÈTRE SAUF INDICATION CONTRAIRE)

ITEM NO.	DESCRIPTION	MATERIAL/MATERIEL	QTY/QTE	REMARK	WEIGHT/POIDS KG	WEIGHT/POIDS LBS
1	SCALE QUALITY TROUGHING ROLL		3	BBTR525300648A6SC-D	51.5	113.4
2	20° SCALE TROUGHING IDLER FRAME		1	BBFR40D2072	34.5	76.0
3	RETAINING END CLIP		2	BBRCEB25	0.0	0.0
4	SELF TAPPING HEX SCREW		2	HABSLZINC005NC010	0.0	0.0
5	RETAINING CENTER CLIP		2	BBRCCB20	0.0	0.0



No.	REVISIONS	DATE	BY
0	ISSUED FOR CONSTRUCTION	11-15-2024	AH

DO NOT SCALE
NE PAS PRENDRE A L'ECHELLE
DIMENSIONS ARE IN mm [INCHES]

SURFACE FINISH
✓

FINITION SURFACE

THIRD ANGLE PROJECTION
PROJECTION
TROISIEME ANGLE

This drawing is the exclusive and confidential property of Continental Conveyor and Machine Works Ltd. Ce dessin est la propriété confidentielle et exclusive de Convoyeur Continental et Usinage Ltee.

Drawn/Dessiné AH	Checked/Vérifié	Approved/Approuvé	Napanee Job No./Contrat No.
Date (MM/DD/YYYY) 11-15-2024	Scale/Echelle 1:10	Weight/Poids Net 189.4 Lbs	Theftford Job No./Contrat No.
Identification No.			

continental CONTINENTAL CONVEYOR & MACHINE WORKS LTD.
CONVOYEUR CONTINENTAL & USINAGE LTEE

THEFTFORD MINES, QUEBEC, CANADA
NAPANEE, ONTARIO, CANADA

STANDARD
20° SCALE QUALITY TROUGHING IDLER
72" BELT WIDTH Ø5" ROLL 25/30mm SHAFT CEMA D5 DUTY

Format: A Drawing No./Dessin No. **BB-44D20-5-72D** Revision **0**